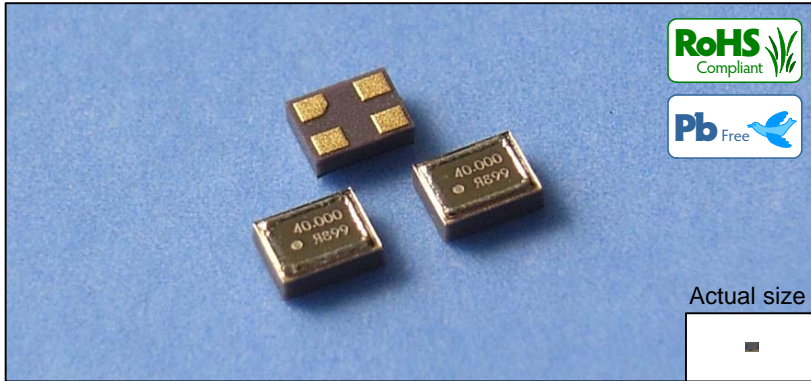


SURFACE MOUNT CRYSTAL CLOCK OSCILLATOR FCXO-07

UNDER DEVELOPMENT!



Specifications

Item	Standard specifications		
Frequency range(MHz)	1.0 to 80.0		
Frequency tolerance (ppm)(at 25°C)	±10, ±20, ±30, ±50, ±100		
Storage temperature range(°C)	-40 to +85		
Operating temperature range(°C)	-10 to +60	-20 to +70	-40 to +85
Frequency versus temperature characteristics (ppm) (Refer to 25°C)	±10 ±20 ±30 ±50	±20 ±30 ±50 ±100	±30 ±50 ±100
Supply voltage(V)	3.3±0.33, 2.5±0.25, 1.8±0.18		
Current consumption (mA)	1(Typ.)/40MHz@3V (Depends on frequency and supply voltage)		
Output level(V)	CMOS		
Symmetry(%)	50±10, 50±5		

"Stand-by" CTRL table

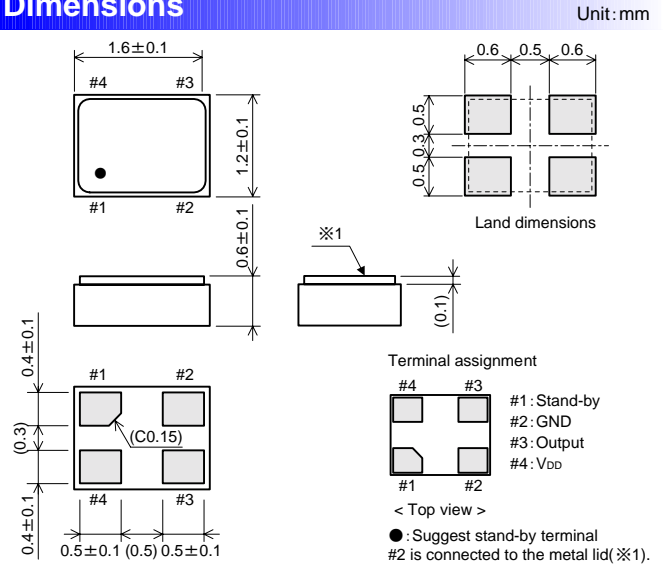
Stand-by	Output
"H"	Output enabled.
"L"	Oscillation stop and High impedance output.

- Bypass capacitor should be connected between V_{DD} and GND due to the stabilized operation for the crystal oscillator.
- Please consult us for customized specifications.
- All specifications and markings subjected to change without notice.

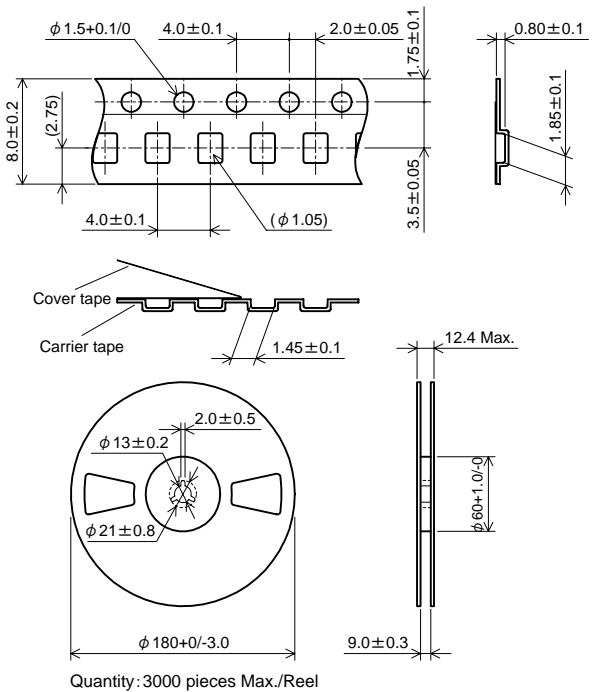
Features

- Compact design (1.6mm×1.2mm×0.7mm Max., Weight : 4.1mg).
- Ceramic package and metal lid assures extreme accuracy and high reliability by electron beam sealing.
- Lead-free soldering is available.
- Applications : Laptop PC, DSC, DVC, W-LAN

Dimensions



Taping



RIVER ELETEC CORPORATION

Head Office : 2-1-1 Fujimigaoka Nirasaki Yamanashi Japan
 Tokyo Office : 4-40-14 Nishishinjuku Shinjuku-ku Tokyo Japan
 Utsunomiya Office : Phone 81-28-625-7181 Fax 81-28-625-7159
 Osaka Office : Phone 81-6-6998-4888 Fax 81-6-6998-4899
 Nagoya Office : Phone 81-52-776-9531 Fax 81-52-776-9532

URL <http://www.river-ele.co.jp>

Phone 81-551-22-1211 Fax 81-551-22-6645
 Phone 81-3-3377-5444 Fax 81-3-3374-2865
 River Electronics (Singapore) Pte.Ltd : Phone 65-6258-7874 Fax 65-6258-7366
 (Shanghai Liaison Office) : Phone 86-21-64032210 Fax 86-21-64037412
 Taiwan River Co.,Ltd. : Phone 886-2-8988-2811 Fax 886-2-2983-4785