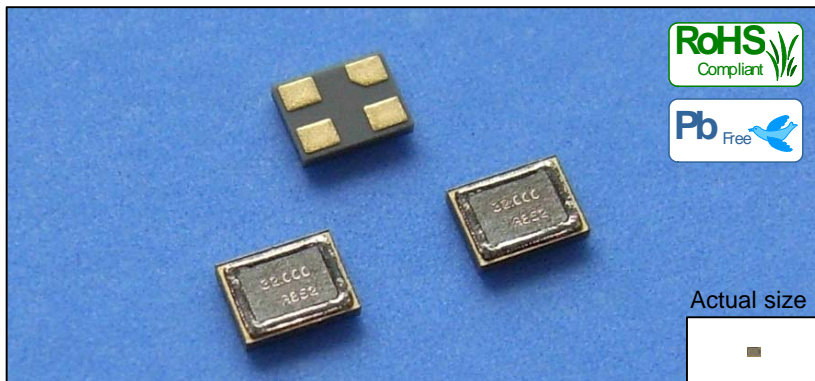


# SURFACE MOUNT CRYSTAL FCX-07L

**NEW PRODUCTS!**



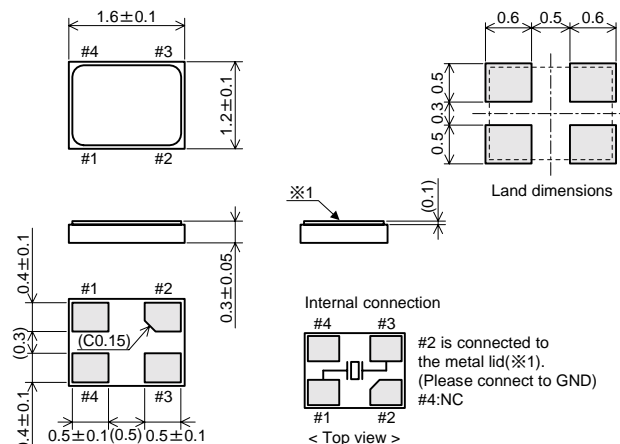
Actual size

## Features

- Compact design (1.6mm×1.2mm×0.35mm Max., Weight : 2.5mg).
- Ceramic package and metal lid assures extreme accuracy and high reliability by electron beam sealing.
- Accommodating high precision frequency and temperature characteristics.
- Lead-free soldering is available.
- Applications : Mobile phone, W-LAN, Bluetooth, Tuner module

## Dimensions

Unit: mm



## Specifications

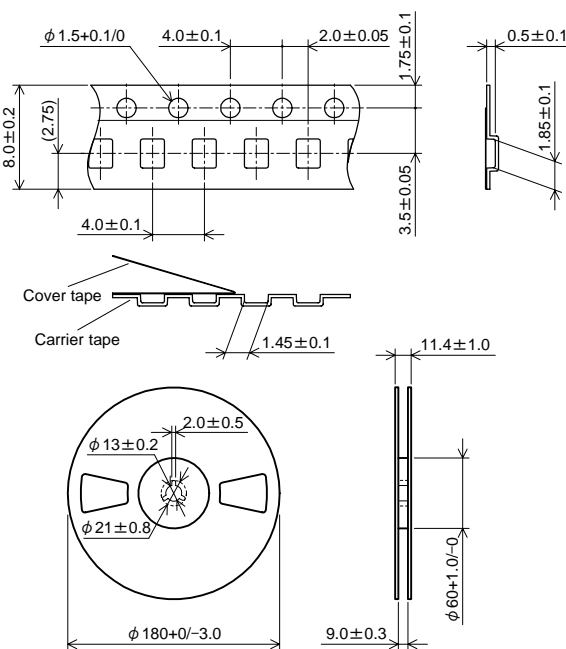
Item	Standard specifications			
Frequency range(MHz)	26.0 to 80.0			
Overtone order	Fundamental			
Frequency tolerance (ppm)(at 25°C)	±10, ±20, ±30, ±50, ±100			
Storage temperature range(°C)	-40 to +85			
Operating temperature range(°C)	0 to +50	-10 to +60	-20 to +70	-40 to +85
Frequency versus temperature characteristics(ppm) (Refer to 25°C)	±10	±15	±20	±30
	±30	±30	±30	±50
	±50	±50	±50	±100
Motional resistance (ESR)	As per below table			
Level of drive(μW)	100 Max.			
Load capacitance(pF)	5.0, 6.0, 7.0			

Frequency(MHz)	Motional resistance(ESR)(Ω)
26.0 to 30.0	150 Max.
30.0 to 80.0	100 Max.

- Please consult us for customized specifications.
- All specifications and markings subjected to change without notice.

## Taping

Unit: mm



Quantity: 3000 pieces Max./Reel

**RIVER** RIVER ELETEC CORPORATION  
URL <http://www.river-ele.co.jp>

Head Office : 2-1-1 Fujimigaoka Nirasaki Yamanashi Japan  
Tokyo Office : 4-40-14 Nishishinjuku Shinjuku-ku Tokyo Japan  
Utsunomiya Office : Phone 81-28-625-7181 Fax 81-28-625-7159  
Osaka Office : Phone 81-6-6998-4888 Fax 81-6-6998-4899  
Nagoya Office : Phone 81-52-776-9531 Fax 81-52-776-9532

Phone 81-551-22-1211 Fax 81-551-22-6645  
Phone 81-3-3377-5444 Fax 81-3-3374-2865  
River Electronics(Singapore)Pte.Ltd : Phone 65-6258-7874  
(Shanghai Liaison Office) : Phone 86-21-64032210  
Taiwan River Co.,Ltd. : Phone 886-2-8988-2811  
Xi'an River Electronics Corporation : Phone 86-29-88697274

Fax 65-6258-7366  
Fax 86-21-64037412  
Fax 886-2-2983-4785  
Fax 86-29-88635134