

PX Type

3.2 x 2.5 mm SMD Crystal Oscillator

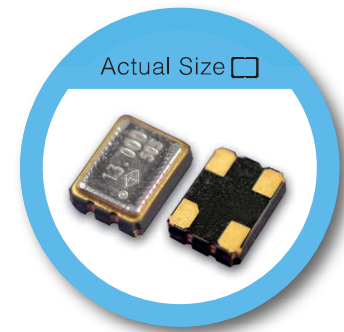
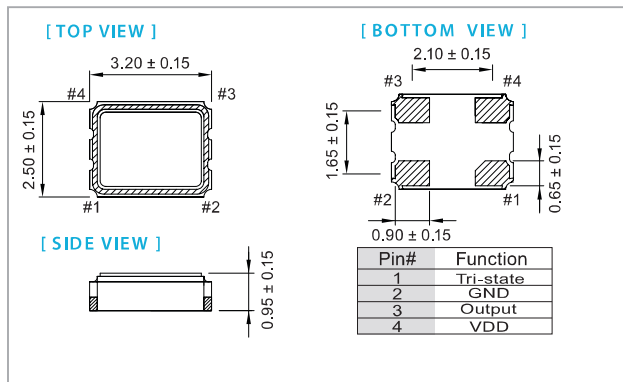
FEATURE

- Typical 3.2 x 2.5 x 0.95mm ceramic SMD package.
- Tight symmetry (45 to 55%) available.
- Operation voltage: 1.8V, 2.5V, 3.3V
- Tri-state enable/disable

TYPICAL APPLICATION

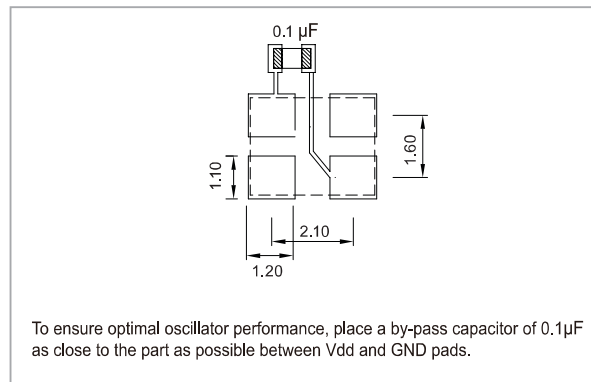
- Computer Peripherals
- Set-top Box , HDTV
- DSC, PDA

DIMENSION (mm)



RoHS Compliant

SOLDER PAD LAYOUT (mm)



ELECTRICAL SPECIFICATION

Parameter	3.3 V		2.5 V		1.8 V		unit
	Min.	Max.	Min.	Max.	Min.	Max.	
Supply Voltage Variation (VDD) ±10%	2.97	3.63	2.25	2.75	1.62	1.98	V
Frequency Range	1	200	1	166	1	100	MHz
VDD Sensitivity (±10 %)	-2	2	-2	2	-2	2	ppm
Supply Current	1 MHz ≤ Fo < 30 MHz	10	8	6	6	6	mA
	30 MHz ≤ Fo < 75 MHz	15	10	8	8	8	
	75 MHz ≤ Fo < 133 MHz	20	15	12	12	12	
	133 MHz ≤ Fo < 166 MHz	22	15	15	15	15	
	166 MHz ≤ Fo ≤ 200 MHz	25	15	15	15	15	
Duty Cycle	45	55	45	55	45	55	%
Output Level (CMOS)	Output High (Logic "1")	2.97	2.25	1.62	1.62	1.62	V
	Output Low (Logic "0")	0.33	0.25	0.18	0.18	0.18	
Transition Time: Rise/Fall Time⁺	1 MHz ≤ Fo < 10 MHz	3	4	5	5	5	nSec
	10 MHz ≤ Fo	2	3	4	4	4	
Start Time	2	2	2	2	2	2	mSec
Tri-State (Input to Pin 1)	Enable (High voltage or floating)	2.31	1.75	1.26	1.26	1.26	V
	Disable (Low voltage or GND)	0.99	0.75	0.54	0.54	0.54	
Period Jitter (Pk-Pk)	Specific Frequency"	40	40	40	40	40	pSec
	Others	200	200	200	200	200	
Standby Current	15	15	15	15	15	15	µA
Aging (@ 25°C 1st year)	±3	±3	±3	±3	±3	±3	ppm
Storage Temp. Range	-55	125	-55	125	-55	125	°C

Standard frequencies are frequencies which the crystal has been designed and does not imply a stock position.

+ Transition times are measured between 10% and 90% of VDD, with an output load of 15pF.

" Specific frequency including 4.0, 6.0, 8.0, 12.0, 13.0, 16.0, 19.2, 20.0, 24.0, 26.0, 32.0, 38.4 and 40.0MHz

FREQ. STABILITY vs. TEMP. RANGE

Temp. (°C)	ppm	±20	±25	±50
-10 ~ +60	○	○	○	○
-20 ~ +70	△	○	○	○
-40 ~ +85	×	○	○	○

* ○ : Available △: Conditional X: Not available

* Inclusive of calibration @ 25 °C, operating temperature range, input voltage variation, load variation, aging (1st year), shock, and vibration

Note: not all combination of options are available. Other specifications may be available upon request.

Specifications subject to change without notice.

Rev(8)05/2015
www.taitien.com
sales@taitien.com.tw