

2.5×2.0mm for Mobile Communications



RoHS Compliant

Features

- Reference frequency for telecommunication systems
- Reflow compatible
- Using ceramic package resulting in high reliability

Applications

- Mobile Communications, Bluetooth®, Wireless LAN, GPS

* Bluetooth® Trademarks are owned by Bluetooth SIG Inc.

How to Order

CT2520DB 19200 □□ □ □ □ □ □
① ② ③ ④ ⑤ ⑥ ⑦

- ① Series
② Frequency
③ Load Capacitance ④ Frequency Tolerance

B0	6 pF	—	F	$\pm 10 \times 10^{-6}$	Std.
C0	7 pF	Std.	G	$\pm 15 \times 10^{-6}$	—

- ⑤ Operating Temp. Range ⑥ Frequency Temp. Stability

FF	-20 to +70°C	$\pm 10 \times 10^{-6}$	—
LJ	-30 to +85°C	$\pm 15 \times 10^{-6}$	—

- ⑦ Individual Specification

Packaging (Tape & Reel 12000 pcs./ reel)

Specifications

Item	Symbol	Specification	Units	Remarks
Frequency Range	f _{nom}	16000 to 60000	kHz	
Overtone Order	OT	Fundamental	—	
Load Capacitance	CL	7	pF	
Frequency Tolerance	f _{tol}	±10	×10 ⁻⁶	30°C±3°C
Motional Series Resistance	R1	Table 1	ohm	
Drive Level	DL	10	μW	100μW max.
Operating Temp. Range	T _{use}	-30 to +85	°C	
Storage Temp. Range	T _{stg}	-40 to +105	°C	
Frequency Temp. Characteristics	f _{tem}	±12	×10 ⁻⁶	Freq. deviation from the value at 30°C
Thermistor Resistance	—	Table 2	ohm	25°C
Thermistor B-Constant	—	Table 3	K	25°C–50°C

• Please contact us for other specifications.

Table 1 Motional Series Resistance

Frequency Range	Motional Series Resistance
16000 to 19199kHz	100Ω max.
19200 to 25999kHz	80Ω max.
26000 to 29999kHz	60Ω max.
30000 to 60000kHz	50Ω max.

Table 2 Thermistor Resistance

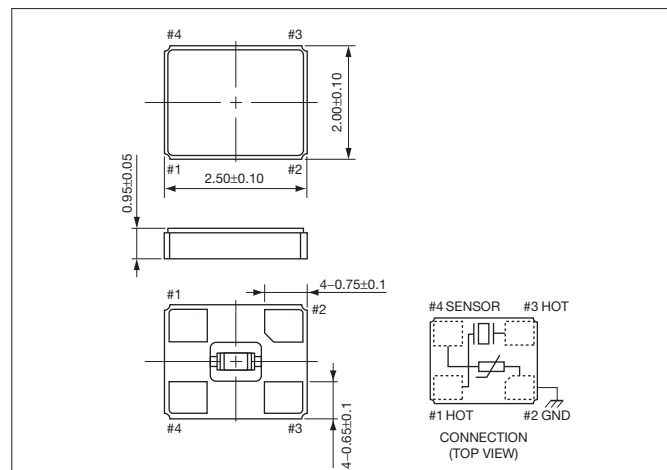
Resistance	Specification
100kΩ	±1%

Table 3 Thermistor B-Constant

B-Constant	Specification
4250K	±1%

Dimensions

(Unit: mm)



Recommended Land Pattern

(Unit: mm)

