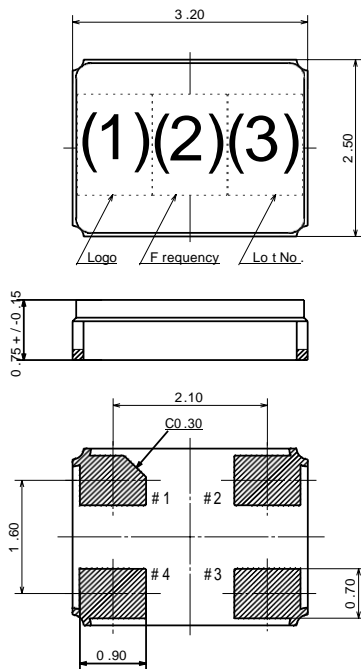


SPECIFICATION OF SURFACE MOUNT TYPE

1 .TYPE	DSX321G			
2 .NOMINAL FREQUENCY	62.400000	MHz		
3 .LOAD CAPACITANCE(CL)	12.0 pF			
4 .DRIVE LEVEL	10	uW	+/- 2	uW (300uW max.)
5 .FREQUENCY TOLERANCE	+/-	25	$\times 10^{-6}$	at 25 deg C +/- 3 deg C
6 .SERIES RESISTANCE	50	ohms	max. /	CL = SERIES
7 .FREQUENCY CHARACTERISTICS OVER TEMPERATURE	+/-	30	$\times 10^{-6}$	/ -40 deg C to +85 deg C
8 .OPERATING TEMPERATURE RANGE	-40	deg C	to	+85 deg C
9 .STORAGE TEMPERATURE RANGE	-40	deg C	to	+115 deg C
10 .SHUNT CAPACITANCE(C0)	1.25pF(typ.)			
11 .INSULATION RESISTANCE	500 Mohms min. at 100V DC			
12 .OVERTONE ORDER	Fundamental			
13 .MOTIONAL CAPACITANCE(C1)	4.344fF(typ.)			
14 .MOTIONAL INDUCTANCE(L1)	1.498mH(typ.)			

(ref. +25 deg C)

15 .DIMENSIONS



(1) Logo, (2) Frequency and Manufacturing Location

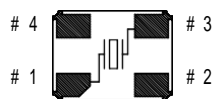
Producing District	(1) Logo	(2) Frequency
Indonesia	D	62
Thailand	-	62
Taiwan	D	<u>62</u>

- * Made in Indonesia
- * Made in Thailand
- * Made in Taiwan

- : Under Bar with (1) Logo
- : Top Bar with (1) Logo
- : Under Bar with (2) Frequency

(3) Lot No.

< Top View >



unit : mm
Tolerance : +/-0.1
Pin #2 #4 is not connected with anything.

Approved	Checked	Drawn
<i>Shida</i>	<i>[Signature]</i>	<i>[Signature]</i>

Fig.-1