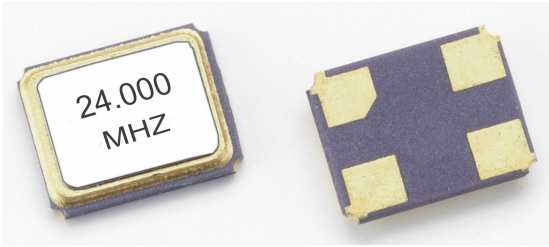


SMD TYPE CERAMIC (SMD 3.2 x 2.5)



Application of SMD crystal:

- Radio communication
- TCXO
- Office automation equipment
- GPS
- Audio-visual equipment

{Features}

Seam welding
 Excellent solderability
 Automatic and perfect packing due to emboss taping
 Excellent vibration resistance & shock resistance
 Rohs compliant / Pb free



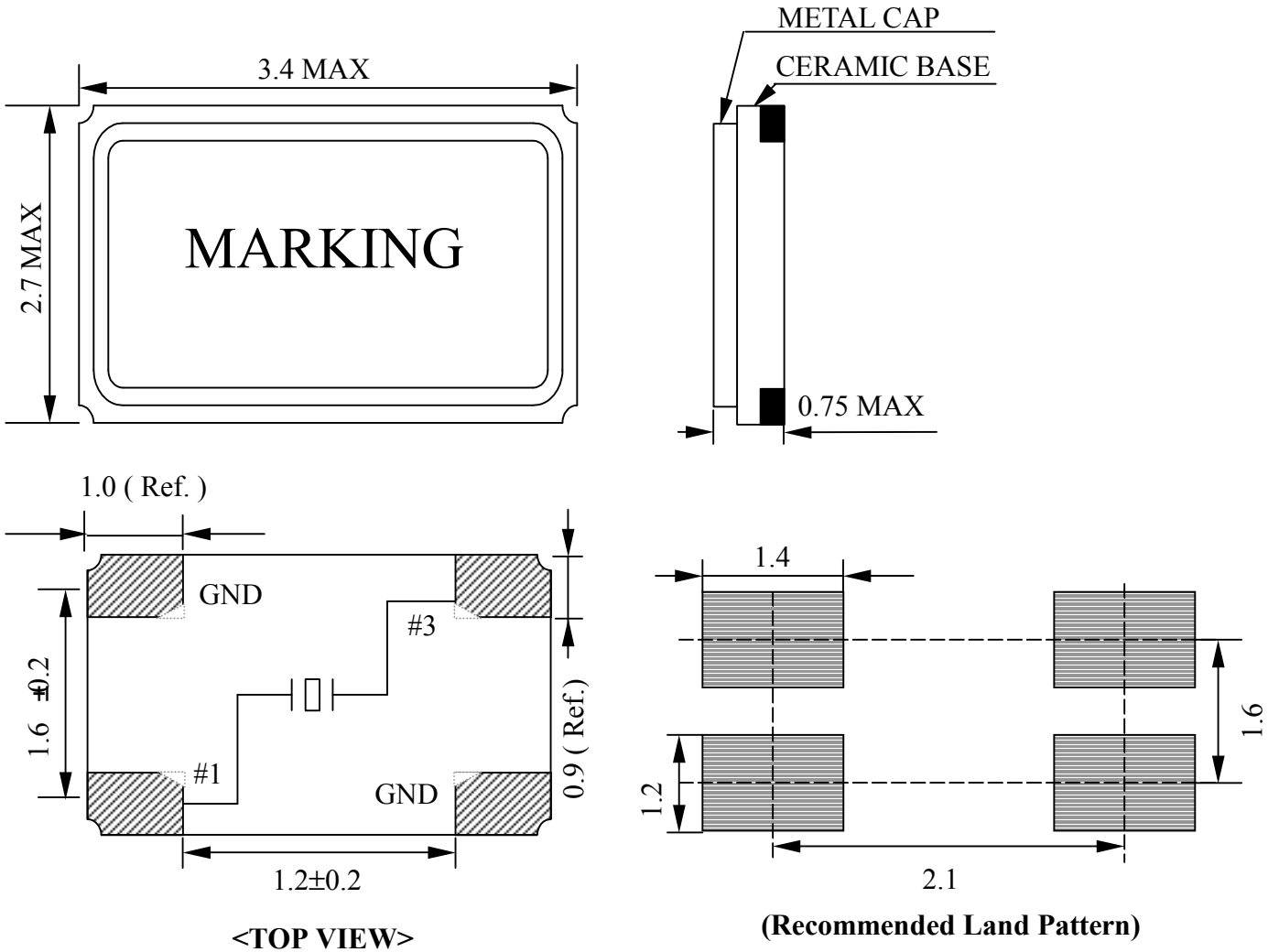
Electrical Specification:

| Model | RUIT-32 |
|---|--|
| 1.Frequency | |
| Frequency Range | 12.0 ~ 54.000 MHz |
| Frequency Tolerance at 25 °C ± °C | ±0 ~ ±50 ppm (TYP.) |
| Frequency Stability Over Operating Temp Range | ±0 ~ ±50 ppm (TYP.) |
| 2.Environmental Condition | |
| Operating Temp Range | -10 °C ~ +60 °C, -20 °C ~ +70 °C or customer requirement |
| Storage Temp Range | -40 °C ~ +85 °C |
| Aging Rate | ±3ppm/year |
| 3.Electrical Specifications | |
| Test Circuit | S&A 250B |
| Load Capacitance | 6 pF ~ 32 pF, series or special |
| Drive Level | 1uW ~ 100uW or special |
| Shunt Capacitance | 7.0pF max |

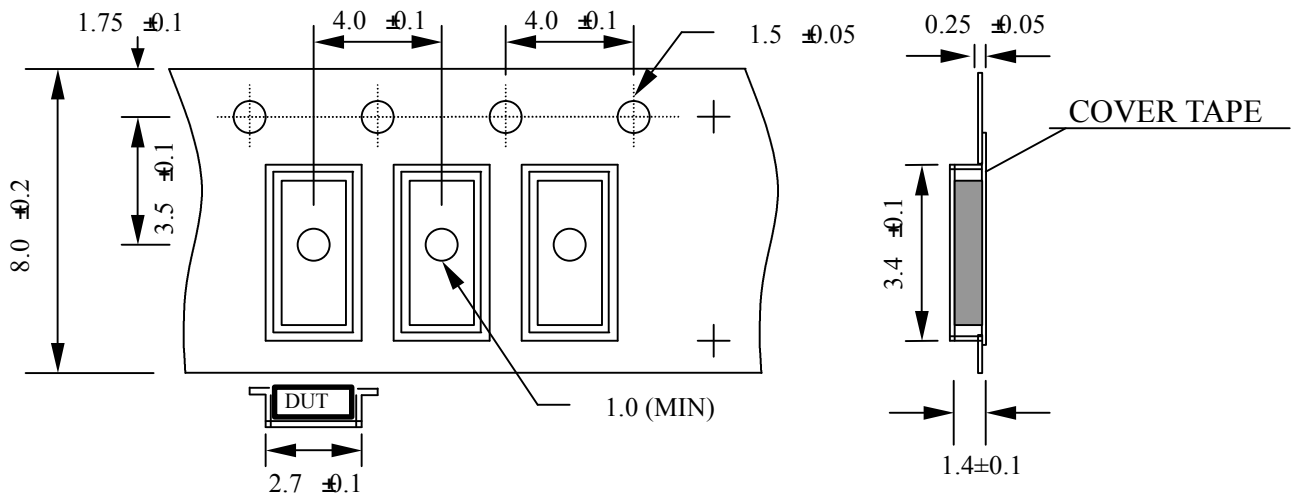
Equivalent Series Resistance(ESR) VS Frequency:

| Frequency (MHz) | Oscillation Mode | RUIT-32 |
|-----------------|------------------|---------|
| 12.0 ~ 13.0 | Fundamental | 120 |
| 13.1 ~ 20.0 | Fundamental | 100 |
| 20.1 ~ 26.0 | Fundamental | 80 |
| 26.1 ~ 54.0 | 3rd overtone | 50 |

Dimensions (mm):

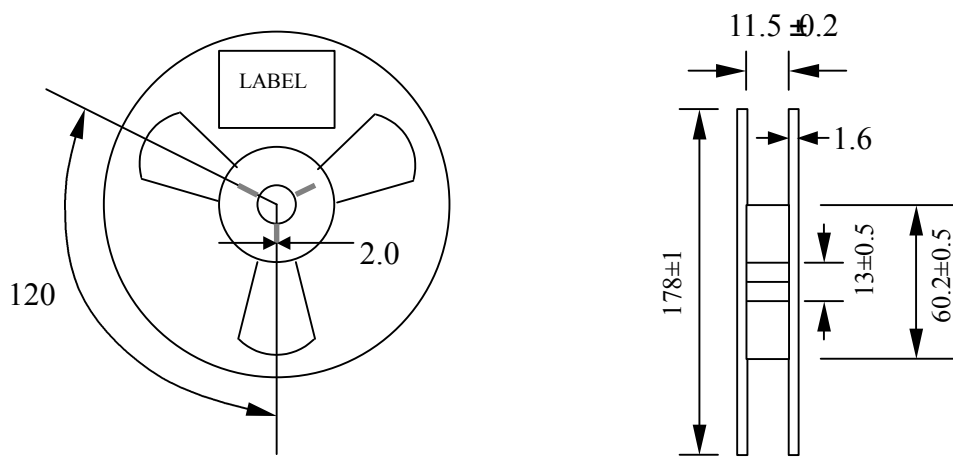


Tape specification (mm):



* Above specification subject to change without prior notice, please consult our sales representative for more information @ www.ruitairt.com

Reel packing (mm):



Reflow Temperature profile:

